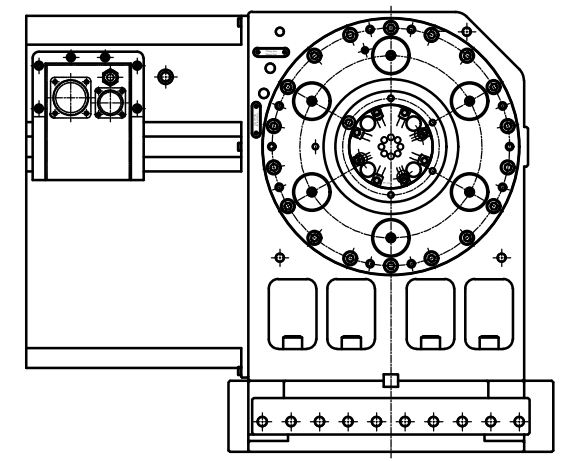
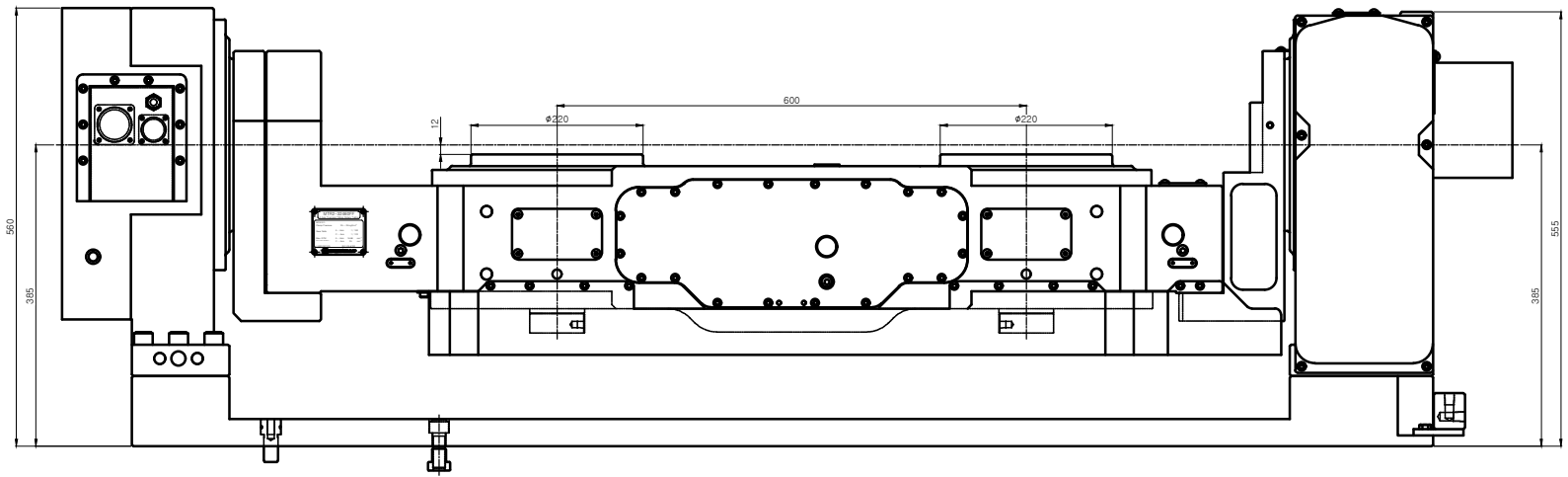
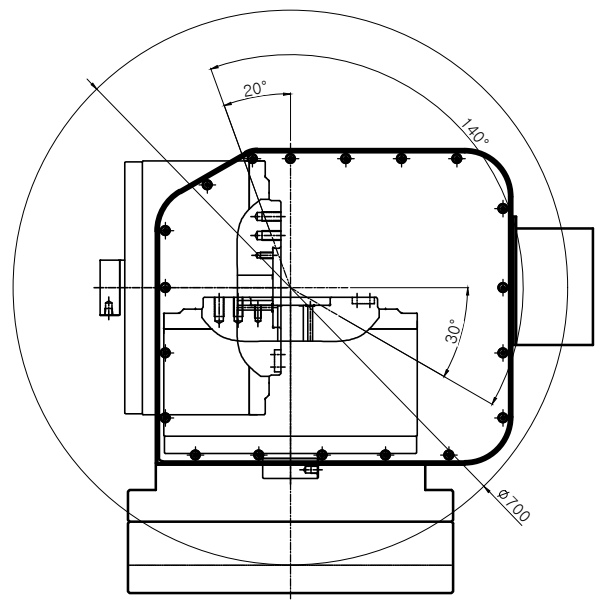


| MTR2-32460FF [Specifications] | | | |
|---------------------------------|---------------------------------------|-----------------|-------------------------------------|
| A 축 사양 (경사) | | C 축 사양 (회전) | |
| Tilting Angle | -20° ~ +120° | Rotating Angle | 360° |
| Clamp Force | 2600 N.m | CLAMP FORCE | 2600 N.m |
| Clamp Pressure | 25 ~ 35 kgf/cm ² | Clamp Pressure | 25 ~ 35 kgf/cm ² |
| Gear Ratio | 1 / 180 | Gear Ratio | 1 / 120 |
| Max. RPM | 16.6 (Motor 3000 min ⁻¹) | Max. RPM | 25 (Motor 3000 min ⁻¹) |
| Servo Motor | al FB / 3000 | Servo Motor | al FB / 3000 |
| Work Weight (kgf) | | Left Axis : 100 | Right Axis : 100 |

Weight : 950 kgf



| | | | |
|----------|--------------------------|------------|------------------------|
| TITLE | NC ROTARY TABLE | PART NAME | 회전축 외형도 |
| DRG NO. | MTR2-32460FF-V1.0-S02-00 | USER | - |
| CODE NO. | - | DEPARTMENT | Research & Development |
| SCALE | 1 : 1 | DATA | - |
| | Approved | Checked | Designed |

